

MIL 78000 - Multi-step Anti-cavitation and Low Noise Control Valves

Standard sizes & rating

½" to 6" : ASME 300# to ASME 2500#

Seat leakage class (as per FCI 70.2)

Standard : Class IV & V

Optional : Class VI



Application

Energy sector

- For applications like boiler feed pump min. recirculation, spray control, low load feed water etc,
- For start-up (low load) drum level control in lower capacity boilers

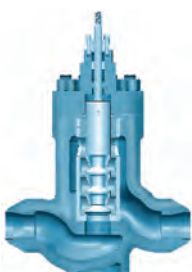
Refinery sector

- For high pressure hydrocarbon services including amine service
- In upstream oil fields, for high pressure injection water

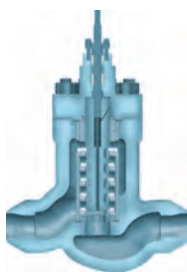
Fertilizer sector

- For high pressure Ammonia Letdown applications

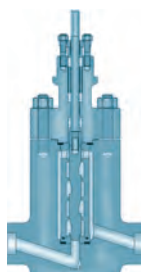
More information: www.ksb-mil.com



Inline Cast Construction



Pressure Balanced Construction in larger sizes to optimize actuator selection



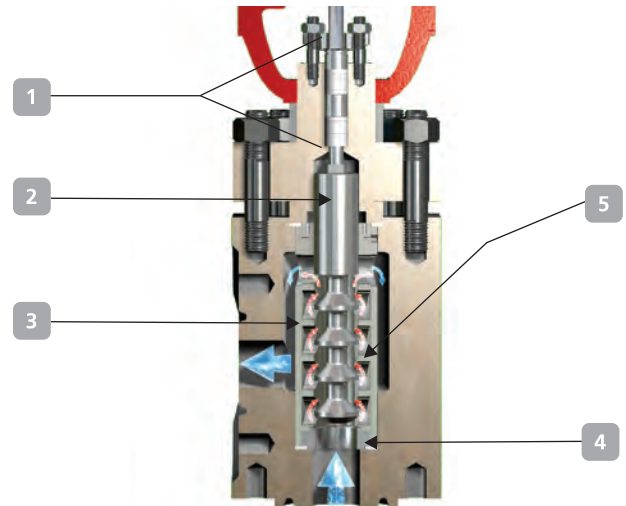
Low Flow Control Trims

Your contact:



MIL 78000 - Multi-step Anti-cavitation and Low Noise Control Valves

- 1 Multiple-step axial-flow high resistance trim
- 2 Low pressure recovery
- 3 Special soft seat design (optional)
- 4 High allowable pressure drops
- 5 High performance material is standard
- 6 Variety of body configuration offerings
- 7 Simple trim maintenance
- 8 Tight shut-off & seat protection
- 9 Special Spray Trim



1 Packing Box 2 Plug 3 Spacer 4 Seat 5 Liner

Model Decodification

1 st	2 nd	3 rd	4 th	5 th	6 th	7 th
Actuator Type		Body Series		Body Type	Service	Trim Type
-	-	7	8	-	-	-
20. Hand Operated 37. Direct Spring Diaphragm 38. Reverse Spring Diaphragm 67. Direct Piston Cylinder 68. Reverse Piston Cylinder 90. Electrical Actuator		78. Multiple Stage Anti-cavitation & Low Noise Control Valve		0. Angle 1. Inline	0. Liquid 1. Gas or Steam	1. Trim A or Gas/Steam 2. Trim B 3. Trim B+ 4. Special

General Data

Body	Type	High capacity Globe or Angle
	Recommended flow directions	Flow to open
Bonnet	Type	Stud bolted
	Temperature range	Standard bonnet: -29° C to 260° C
Gland Seal	Type	Adjustable double sealed packing box with PTFE or Graphite moulded split rings
	Option	Eco lock* (varying density for low emission, PTFE or Graphite) or PTFE V rings
	Temperature range	≤ 180° C for PTFE, > 180° C for Graphite
Trim	Type	Multiple step, Anti-cavitation
	Plug type	Unbalanced or pressure balanced with self energized seals (> 2")
	Seat type	Clamped (Quick Change) with metal or soft seat
	Guiding	Cage guiding
	Rangeability	1:100
	Characteristic	Mod. Linear

* Meets the stringent Class A emission requirement as per ISO 15848



KSB MIL Controls Limited
 Meladoor, Annamanada, Pin - 680741
 Thrissur District, Kerala, India
 Tel. +91 480 2695700, Fax. +91 480 2890952
 E-mail: sales.mil@ksb.com, www.ksb-mil.com

You can also visit us at:
www.ksb.com/socialmedia