

MIL 76000 - High Pressure Letdown Control Valves

Standard sizes & rating

1" to 2" : ASME 150# to ASME 2500#

Seat leakage class (as per FCI 70.2)

Standard : Class IV

Optional : Class V



Applications

- High energy flashing services
- Boiler drain applications
- Turbine drain applications

More information:
www.ksb-mil.com



Single-stage

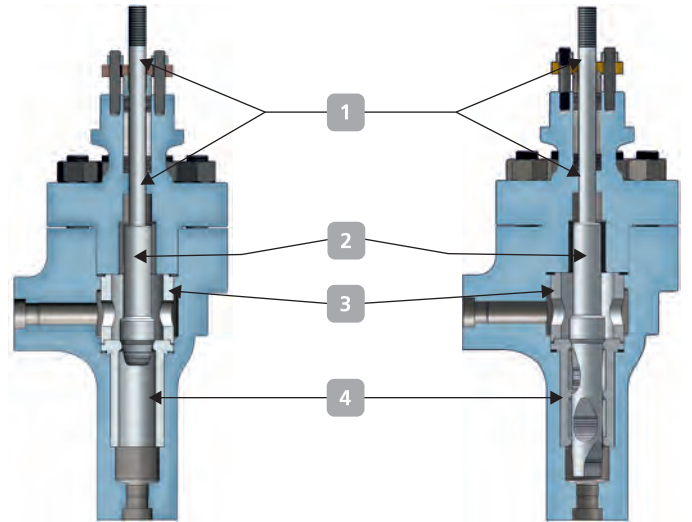


Multi-stage

Your contact:

MIL 76000 - High Pressure Letdown Control Valves

- 1 Unbalanced plug design without seal rings
- 2 Larger flow paths
- 3 Smooth axial flow
- 4 Multi-stage pressure reduction for high pressure drop
- 5 Advanced design that eliminates the damaging erosive effects
- 6 Minimal seat damage by isolating the seat from the most severe expansion stages
- 7 Easy maintenance



1 Packing box 2 Plug stem sub-assembly 3 Cage 4 Seat ring

Model Decodification

1 st -	2 nd -	3 rd 7	4 th 6	5 th -	6 th -	7 th -
Actuator Type		Body Series		Body Type	Trim Characteristics	Trim Type
20.Hand Operated 37.Direct Spring Diaphragm 38.Reverse Spring Diaphragm 90.Electrical Actuator		76. High Pressure Letdown Control Valve		0. Undefined 2. Angle	0. Undefined 1. Mod. Linear* 2. Mod %*	0. Undefined 1. Single stage 2. Multi-stage

* Mod Linear for Single stage trim and Mod % for Multi-stage trim only

General Data

Body	Type	Angle Forgings
	Recommended flow directions	Flow to Close
Bonnet	Type	Stud bolted
	Temperature range	-27° C to 566° C
Gland Seal	Type	Adjustable double sealed packing box with PTFE or Graphite moulded split rings
	Option	Eco lock* (varying density for low emission, PTFE or Graphite) or PTFE V rings
	Temperature range	≤ 180° C for PTFE, > 180° C for Graphite
Trim	Type	Single stage / Multi stage
	Plug type	Unbalanced
	Seat type	Clamped (quick change) with metal seat
	Guiding	Top guiding (Single stage valves), Top & Bottom guiding (Multi-stage valves)
	Rangeability	50:1
	Characteristics	Mod. Linear (Single stage), Mod % (Multi-stage)

* Meets the stringent Class A emission requirement as per ISO 15848



KSB MIL Controls Limited
 Meladoor, Annamanada, Pin - 680741
 Thrissur District, Kerala, India
 Tel. +91 480 2695700, Fax. +91 480 2890952
 E-mail: sales.mil@ksb.com, www.ksb-mil.com

You can also visit us at:
www.ksb.com/socialmedia