

MIL 29000 - Micropak Micro flow Control Valves

Standard sizes & rating

½" to 1" : ASME 150# to ASME 1500#

Seat leakage class (as per FCI 70.2)

Standard : Class IV

Optional : Class V



Applications

- Accurate control in low flow applications
- Spray water control in lower capacity power plants
- Chemical and Pharmaceutical plants
- Refinery & Petrochemical complexes

More information:
www.ksb-mil.com



Cv adjustment possible at site



Compact and field reversible actuator



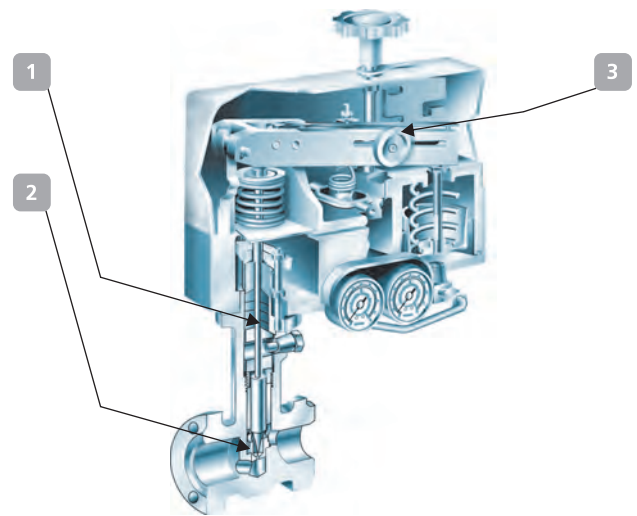
Optional Multi-stage anti-cavitation trim design

Your contact:



MIL 29000 - Micropak Micro flow Control Valves

- 1 Low flow precise control
- 2 Rangeability of 500 :1 to handle variations in flow
- 3 Cv adjustable at site to fine tune site conditions
- 4 Compact construction with field-reversible rolling diaphragm type actuator
- 5 Force amplifying actuator technology with modular option for positioner
- 6 Integral bonnet - No leaks & lesser soft parts
- 7 Hardened trim for better longevity



1 Plug Stem Sub-assembly 2 Seat Ring 3 Cv adjustment knob

Model Decodification

1 st		2 nd		3 rd		4 th		5 th		6 th			7 th
-		-		2		9		-		-			-
Actuator Type		Body Series						Trim Type		Cv Range			Seat Type
										Trim No	Min	Max	
1. Parallel to Pipe Line	6. Hand Operated	29. Micropak Control Valve for Precise Microflow Control						0. Undefined	0	0.0018	0.005	0. Undefined 1. On-Off (No Positioner) 2. With integral Pneumatic Positioner 3. With External Pneumatic Positioner 4. With External Smart Positioner	
2. Perpendicular to Pipe Line ⁽¹⁾	7. Air to Close							1. Standard Trim	1	0.005	0.011		
	8. Air to Open							2. Anti-cavitation trim ⁽²⁾	2	0.011	0.026		
								3. Special ⁽³⁾	3	0.021	0.051		
			4	0.041	0.11		4	0.041	0.11				
			5	0.11	0.26		5	0.11	0.26				
			6	0.26	0.61		6	0.26	0.61				
			7	0.51	1.30		7	0.51	1.30				
			8	0.91	2.40		8	0.91	2.40				
			9	1.51	3.70		9	1.51	3.70				

⁽¹⁾Not available with cast body construction. ⁽²⁾Anti-cavitation trim available for trim nos 3 to 6 only. ⁽³⁾Available on request - Bellows sealed, Cryogenic versions etc

General Data

Body	Type	Globe style with integral bonnet
	Recommended flow directions	Flow to open
Bonnet	Type	Integral to body
	Temperature range	-100° C to 343° C
Gland Seal	Type	Adjustable packing box with PTFE or Graphite moulded split rings
	Temperature range	≤ 180° C for PTFE, > 180° C for Graphite
Trim	Plug type	Adjustable microflow with unbalanced contoured plug
	Option	Multi-stage, Anti-cavitation
	Seat type	Clamped (Quick Change) with metal seat
	Guiding	Top & Cage guiding
	Rangeability	500:1 at max. rated Cv, 200:1 at min rated Cv
	Characteristic	Mod. Linear



KSB MIL Controls Limited
 Meladoor, Annamanada, Pin - 680741
 Thrissur District, Kerala, India
 Tel. +91 480 2695700, Fax. +91 480 2890952
 E-mail: sales.mil@ksb.com, www.ksb-mil.com

You can also visit us at:
www.ksb.com/socialmedia