

## MIL 27000 - Compact Globe Control Valves

### Standard sizes & rating

½" to 2" : ASME 150# to ASME 300#

Seat leakage class (as per FCI 70.2)

Standard : Class IV

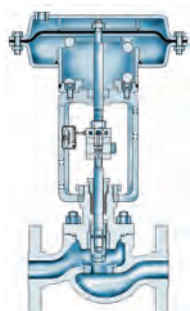
Optional : Class V / Class VI



### Applications

- For applications with moderate pressure drops
- Used for fluids containing small particulate presence
- Suitable for handling viscous fluids in refineries and petrochemicals
- Pharmaceutical, Chemical and Bio-medical industries

**More information:**  
[www.ksb-mil.com](http://www.ksb-mil.com)

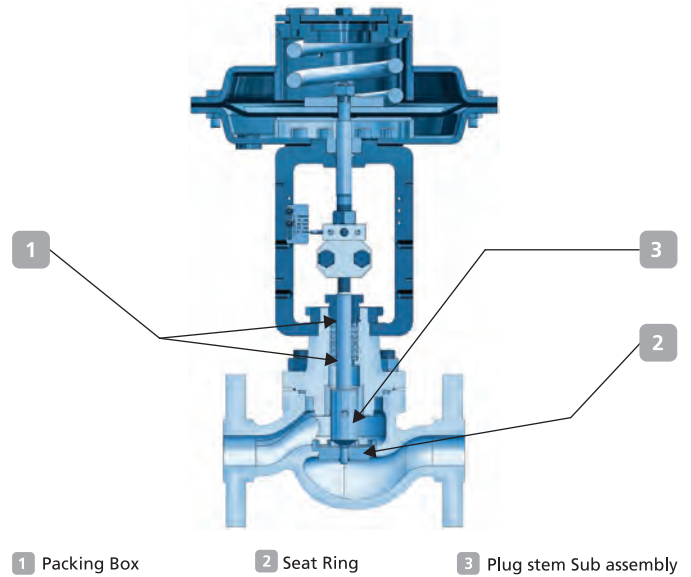


27 Type Actuator for use with MIL 27000 (Air to Close)

Your contact:


# MIL 27000 - Compact Globe Control Valves

- 1 Compact and light weight construction
- 2 Shank guiding
- 3 Reduced capacity
- 4 Field reversible actuator
- 5 Optional handwheel
- 6 Tight shut-off



98 Type MIL 27000 (Air to Open)

## Model Decodification

1 <sup>st</sup>	2 <sup>nd</sup>	3 <sup>rd</sup>	4 <sup>th</sup>	5 <sup>th</sup>	6 <sup>th</sup>	7 <sup>th</sup>
Actuator Type		Body Series		Plug Type	Trim Type	Seat Type
20. Hand operated	27. Air to Close	27. Compact globe control valve	28. Air to Open	0. Undefined 1. Unbalanced contoured	0. Undefined 1. Linear 2. Equal % 3. Customized	0. Undefined 5. Threaded metal seat 6. Threaded soft seat

## General Data

<b>Body</b>	Type	Globe
	Recommended flow directions	Flow to Open
<b>Bonnet</b>	Type	Stud bolted
	Temperature range	-27° C to 427° C
<b>Gland Seal</b>	Type	Adjustable packing box with PTFE or Graphite moulded split rings
	Option	Ecolock* ( varying density for low emission, PTFE or Graphite) or PTFE V rings
	Temperature range	≤ 180° C for PTFE, > 180° C for Graphite
<b>Trim</b>	Plug type	Unbalanced contoured
	Seat type	Threaded metal or Soft seat
	Options	Seat ring with Carbon filled PTFE insert for Class VI leakage
	Rangeability	30:1
	Characteristics	Equal percentage, Linear, On-Off

\* Meets the stringent Class A emission requirement as per ISO 15848



**KSB MIL Controls Limited**  
 Meladoor, Annamanada, Pin - 680741  
 Thrissur District, Kerala, India  
 Tel. +91 480 2695700, Fax. +91 480 2890952  
 E-mail: sales.mil@ksb.com, www.ksb-mil.com

You can also visit us at:  
[www.ksb.com/socialmedia](http://www.ksb.com/socialmedia)