

MIL 10000 - Double Ported Top and Bottom Guided Control Valves

Standard sizes & rating

¾" to 10" : ASME 150# to ASME 1500#

Seat leakage class (as per FCI 70.2)

Standard : Class II

Optional : Class III / Class VI



Applications

- Dirty fluid application with high pressure drops
- Chemical and Fertilizer industry
- Refinery and Petrochemical industry
- Oil & Gas extraction
- Paper and Pulp industry

More information:
www.ksb-mil.com



Soft seated trim

Your contact:

┌

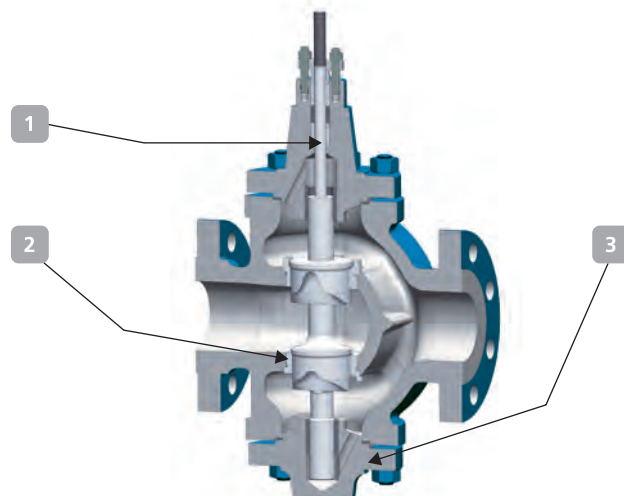
└

┌

└

MIL 10000 - Double Ported Top and Bottom Guided Control Valves

- 1 Top and bottom guiding
- 2 High allowable pressure drops
- 3 High capacity with low recovery
- 4 Reduced capacity trim
- 5 High performance materials
- 6 Invertible bodies and plugs



1 Plug stem Sub assembly 2 Seat Ring 3 Bottom Flange

Model Decodification

1 st	2 nd	3 rd	4 th	5 th	6 th	7 th
Actuator Type		Body Series		Plug Type	Trim Type	Seat Type
-	-	1	0	-	-	-
20.Hand Operated 37.Direct Spring Diaphragm 38.Reverse Spring Diaphragm 67.Direct Piston Cylinder 68.Reverse Piston Cylinder 90.Electrical Actuator		10. Double Ported Top and Bottom Guided Control Valves		0. Undefined 1. Double Seat (Std) 2. Double Seat (Special)	0. Undefined 3. Equal % 6. On-Off 7. Linear 8. Lo-dB Linear	0. Undefined 2. Down Seating 4 Up Seating 6. Down Seating (Soft Seat)

General Data

Body	Type	Double ported globe
	Recommended flow directions	Flow passing into the seats
Bonnet	Type	Stud bolted
	Temperature range	-29° C to 454° C
Gland Seal	Type	Adjustable double sealed packing box with PTFE or Graphite moulded split rings
	Option	Eco lock* (varying density for low emission, PTFE or Graphite) or PTFE V rings
	Temperature range	≤ 180° C for PTFE, > 180° C for Graphite
Trim	Plug type	Double seat, top and bottom guided
	Seat type	Threaded
	Options	Adjustable plug skirts with PTFE inserts
	Rangeability	50:1
	Characteristics	Equal percentage (V - port), linear (contoured) and quick opening

* Meets the stringent Class A emission requirement as per ISO 15848



KSB MIL Controls Limited
 Meladoor, Annamanada, Pin - 680741
 Thrissur District, Kerala, India
 Tel. +91 480 2695700, Fax. +91 480 2890952
 E-mail: sales.mil@ksb.com, www.ksb-mil.com

You can also visit us at:
www.ksb.com/socialmedia