



Type SCC

**Swing Check Valve
Cast Steel, Pressure seal bonnet
Butt weld ends**

**2" - 24" (50-600 mm)
Class 900, 1500, 2500**

Design in accordance with ASME B16.34

Applications

- Power stations, general industry, process engineering
- For water, steam, gas, oil & other non-aggressive media
- Further applications on request

Operating Data

- Pressure up to 431 bar (6250 psi)
- Temperature up to +650°C/1200°F
- Minimum temperature is 0°C (less than 0°C on request)
- Pressure-temperature ratings as per ASME B 16.34, Standard class

Materials

- ASTM A 216 WCB from 0°C to 425°C
- ASTM A 217 WC6/WC9 from 0°C to 593°C
- ASTM A 217 C12A from 0°C to 650°C

Design

- As per ASME B 16.34
- Pressure Seal Bonnet Design
- Stellite hard-faced Seats & Disc surface
- Graphite gaskets
- The Valves meet the safety requirement of the Pressure Equipment Directive 97/23/EC(PED) of annex I for fluids of the groups 1 and 2.

Variants on Request

- Special class execution
- Other Material of construction

Remarks :

(Type Series Booklet References)

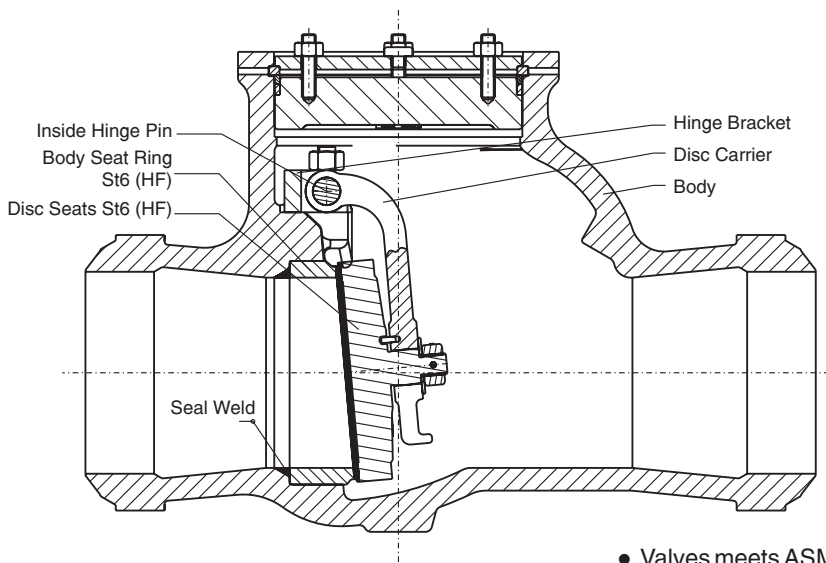
SICCA 800-2500 GTF / GLF / PCF	: 7240.1/01-14
SICCA 900-2500 GTC	: 7241.2/01-14
SICCA 900-2500 GLC	: 7242.2/01-14
SICCA 150-600 GTC	: 7244.2/01-14
SICCA 150-600 GLC	: 7245.2/01-14
SICCA 150-600 SCC	: 7246.2/01-14
Operating instructions no.	: 0500.80/06-18 G3

On all enquiries / orders please specify :

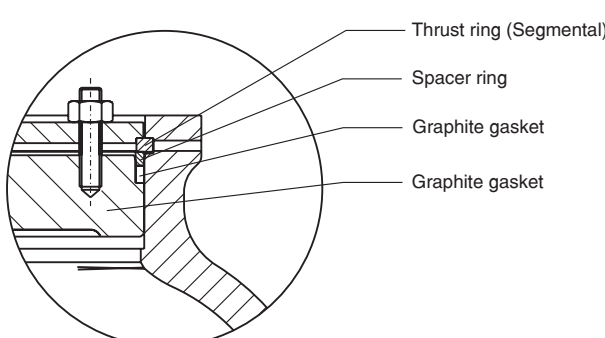
- | | |
|--------------------------------|---|
| 1. Type | 9. Flow medium |
| 2. ASME Pressure class | 10. Flow rate Min. / Max. |
| 3. Size | 11. Type of end connection |
| 4. Design pressure/temperature | 12. Pipe Schedule Inlet/
Outlet Dia |
| 5. Operating pressure | 13. Variants |
| 6. Operating temperature | 14. Type Series Booklet no. |
| 7. Differential pressure | 15. Valve data sheet
(if applicable) |
| 8. Material of construction | |

When ordering spares, Indicate Serial number of Valve.

Product features to our customer benefit

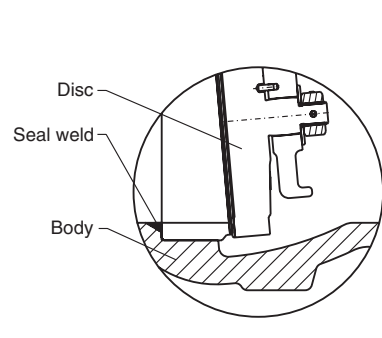


- Valves meets ASME 16.34 requirements
- Inside hinge pin mounted design - no leakage path to atmosphere
- Self aligning free floating and non-rotating disc
- Designed to open at low differential pressures



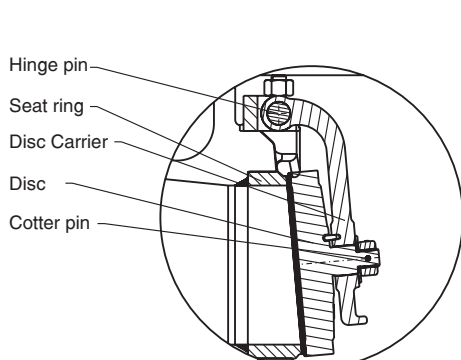
Pressure seal

- Die-moulded graphite gasket
- Segmental ring arrangement with knock out holes provides for easy disassembly



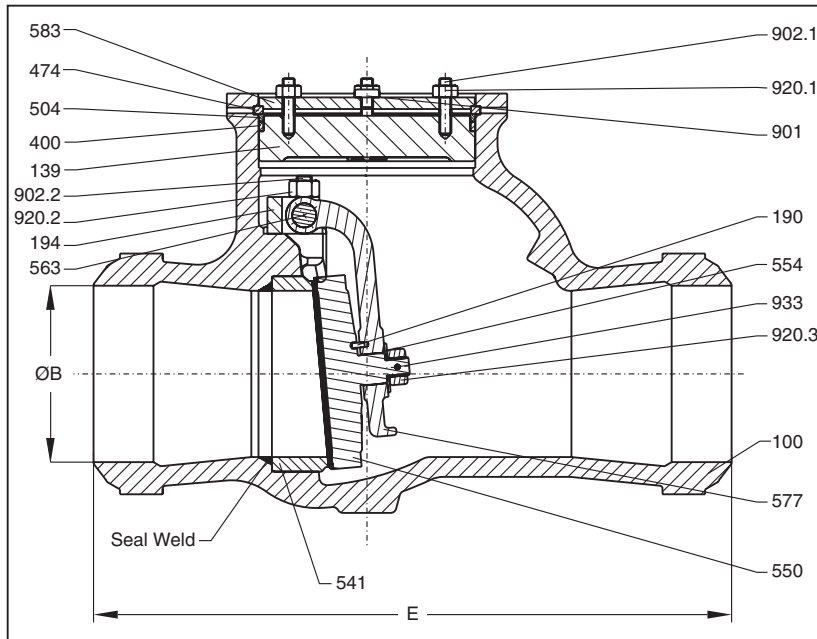
Flow Seal

- Fully stellited, body & Disc seat
- Seat rings - seal welded to body
- Lapped Seat & Disc faces for leak tightness



Disc Design

- Self aligning disc ensures perfect seating
- Designed to open at low differential pressure



Design Specifications

General valve design & pressure, temperature rating : ASME B 16.34
 Butt weld end design : ASME B 16.25
 End to end dimension : ASME B 16.10
 Testing : API 598

Dimensions in mm

Class 900

Size (Inch)	2"	3"	4"	6"	8"	10"	12"
E	216	305	356	508	660	787	914
ØB*	49.5	73.5	92	139.5	182.5	230	273
C (max)	145	178	197	264	290	335	410

* Schedule 80 up to 3". Schedule 120 for 4" and above. Alternate schedule on request.

Class 1500

Size (Inch)	2"	3"	4"	6"	8"	10"	12"	14"	16"	18"	20"	24"
E	216	305	406	559	711	864	991	1067	1194	1194	1346	1473
ØB*	43	66.5	87.5	131.5	173	216	257	284	325.5	366.5	408	490.5
C (max)	145	178	210	282	314	378	438	475	546	619	663	767

* Schedule 160. Alternate schedule on request.

Class 2500

Size (Inch)	2"	3"	4"	6"	8"	10"	12"	14"	16"	18"	20"	24"
E	279	368	457	610	762	914	1041	1041	1118	1245	1397	1575
ØB*	38	58.5	80	124.5	174.5	216	257	284	325.5	366.5	408	490.5
C (max)	164	192	228	298	340	425	495	545	610	700	730	835

* Schedule XXS up to 6". Schedule 160 for 8" and above. Alternate schedule on request.

Materials

Part No.	Description	Material			
		A 216-WCB	A 217-WC6	A 217-WC9	A 217-C12A
100	Body	A 216-WCB	A 217-WC6	A 217-WC9	A 217-C12A
139	Bonnet ¹⁾	A 216-WCB / A 105	A 217-WC6 / A 182-F11	A 217-WC9 / A 182-F22	A 217-C12A / A 182-F91
400	Gasket	GRAPHITE	GRAPHITE	GRAPHITE	GRAPHITE
474	Thrust ring	A 336-F91	A 336-F91	A 336-F91	A 336-F91
504	Spacer ring	A 182-F22 CL3	A 182-F22 CL3	A 182-F22 CL3	A 182-F22 CL3
541	Seat ring	A 105+ST6	A 182-F22+ST6	A 182-F22+ST6	A 182-F91+ST6
550	Disc ²⁾	A 216-WCB+ST6 / A 105+ST6	A 217-WC9+ST6 / A 182-F22+ST6	A 217-WC9+ST6 / A 182-F22+ST6	A 217-C12A+ST6 / A 182-F91+ST6
563	Hinge pin	A 479-410-1	A 479-410-1	A 479-410-1	A 479-410-1
570	Disc carrier	A 216-WCB	A 217-WC9	A 217-WC9	A 217-C12A
902	Stud	A 193-B7	A 193-B16	A 193-B16	A 193-B16
920.1 / .2	Hex. nut	A 194-2H	A 194-4/7	A 194-4/7	A 194-4/7
920.3	Hex. nut	SS (18-8) / A 194-4/7	SS (18-8) / A 194-4/7	SS (18-8) / A 194-4/7	SS (18-8) / A 194-4/7

1) Forging Upto 6" RB

2) Forging Upto 8" RB

Testing

Test / Test pressure	#900		#1500		#2500		Testing medium
	kg/cm ²	psi	kg/cm ²	psi	kg/cm ²	psi	
Shell	238	3375	396	5625	660	9375	Water
Seat	175	2475	291	4125	484	6875	

Pressure Temperature Rating - Standard Class
Rating for Group 1.1 Material : A 216 Gr. WCB ⁽¹⁾

Temperature		# 900		# 1500		# 2500	
°F	°C	PSI	Kg/cm ²	PSI	Kg/cm ²	PSI	Kg/cm ²
-20 to 100	-29 to 38	2220.0	156.1	3705.0	260.5	6170.0	433.8
200	93.3	2035.0	143.1	3395.0	238.7	5655.0	397.6
300	148.9	1965.0	138.2	3270.0	229.9	5450.0	383.2
400	204.4	1900.0	133.6	3170.0	222.9	5280.0	371.2
500	260.0	1810.0	127.3	3015.0	212.0	5025.0	353.3
600	315.6	1705.0	119.9	2840.0	199.7	4730.0	332.6
650	343.3	1650.0	116.0	2745.0	193.0	4575.0	321.7
700	371.1	1590.0	111.8	2665.0	187.4	4425.0	311.1
750	398.9	1520.0	106.9	2535.0	178.2	4230.0	297.4
800	426.7	1235.0	86.8	2055.0	144.5	3430.0	241.2
850	454.4	955.0	67.1	1595.0	112.1	2655.0	186.7
900	482.2	690.0	48.5	1150.0	80.9	1915.0	134.6
950	510.0	410.0	28.8	685.0	48.2	1145.0	80.5
1000	537.8	255.0	17.9	430.0	30.2	715.0	50.3

1) Permissible, but not recommended for prolonged use above 800°F

1 Kg/cm² = 0.981 Bar

Rating for Group 1.9 Material : A 217 Gr. WC6 ⁽¹⁾⁽²⁾

Temperature		# 900		# 1500		# 2500	
°F	°C	PSI	Kg/cm ²	PSI	Kg/cm ²	PSI	Kg/cm ²
-20 to 100	-29 to 38	2250.0	158.2	3750.0	263.7	6250.0	439.4
200	93.3	2250.0	158.2	3750.0	263.7	6250.0	439.4
300	148.9	2165.0	152.2	3610.0	253.8	6015.0	422.9
400	204.4	2080.0	146.2	3465.0	243.6	5775.0	406.0
500	260.0	1995.0	140.3	3325.0	233.8	5540.0	389.5
600	315.6	1815.0	127.6	3025.0	212.7	5040.0	354.3
650	343.3	1765.0	124.1	2940.0	206.7	4905.0	344.9
700	371.1	1705.0	119.9	2840.0	199.7	4730.0	332.6
750	398.9	1595.0	112.1	2660.0	187.0	4430.0	311.5
800	426.7	1525.0	107.2	2540.0	178.6	4230.0	297.4
850	454.4	1460.0	102.6	2435.0	171.2	4060.0	285.4
900	482.2	1350.0	94.9	2245.0	157.8	3745.0	263.3
950	510.0	955.0	67.1	1595.0	112.1	2655.0	186.7
1000	537.8	650.0	45.7	1080.0	75.9	1800.0	126.6
1050	565.6	430.0	30.2	720.0	50.6	1200.0	84.4
1100	593.3	290.0	20.4	480.0	33.7	800.0	56.2
1150	621.1	195.0	13.7	325.0	22.8	545.0	38.3
1200	648.9	125.0	8.8	205.0	14.4	345.0	24.3

1) Use Normalised and tempered material only.

2) Not to be used over 1100°F

Rating for Group 1.10 Material : A 217 Gr. WC9 ⁽¹⁾⁽²⁾

Temperature		# 900		# 1500		# 2500	
°F	°C	PSI	Kg/cm ²	PSI	Kg/cm ²	PSI	Kg/cm ²
-20 to 100	-29 to 38	2250.0	158.2	3750.0	263.7	6250.0	439.4
200	93.3	2250.0	158.2	3750.0	263.7	6250.0	439.4
300	148.9	2185.0	153.6	3640.0	255.9	6070.0	426.8
400	204.4	2115.0	148.7	3530.0	248.2	5880.0	413.4
500	260.0	1995.0	140.3	3325.0	233.8	5540.0	389.5
600	315.6	1815.0	127.6	3025.0	212.7	5040.0	354.3
650	343.3	1765.0	124.1	2940.0	206.7	4905.0	344.9
700	371.1	1705.0	119.9	2840.0	199.7	4730.0	332.6
750	398.9	1595.0	112.1	2660.0	187.0	4430.0	311.5
800	426.7	1525.0	107.2	2540.0	178.6	4230.0	297.4
850	454.4	1460.0	102.6	2435.0	171.2	4060.0	285.4
900	482.2	1350.0	94.9	2245.0	157.8	3745.0	263.3
950	510.0	1160.0	81.6	1930.0	135.7	3220.0	226.4
1000	537.8	800.0	56.2	1335.0	93.9	2230.0	156.8
1050	565.6	525.0	36.9	875.0	61.5	1454.0	102.2
1100	593.3	330.0	23.2	550.0	38.7	915.0	64.3
1150	621.1	205.0	14.4	345.0	24.3	570.0	40.1
1200	648.9	125.0	8.8	205.0	14.4	345.0	24.3

1) Use Normalised and tempered material only.

2) Not to be used over 1100°F

Rating for Group 1.15 Material : A 217 Gr. C12A

Temperature		# 900		# 1500		# 2500	
°F	°C	PSI	Kg/cm ²	PSI	Kg/cm ²	PSI	Kg/cm ²
-20 to 100	-29 to 38	2250.0	158.2	3750.0	263.7	6250.0	439.4
200	93.3	2250.0	158.2	3750.0	263.7	6250.0	439.4
300	148.9	2185.0	153.6	3640.0	255.9	6070.0	426.8
400	204.4	2115.0	148.7	3530.0	248.2	5880.0	413.4
500	260.0	1995.0	140.3	3325.0	233.8	5540.0	389.5
600	315.6	1815.0	127.6	3025.0	212.7	5040.0	354.3
650	343.3	1765.0	124.1	2940.0	206.7	4905.0	344.9
700	371.1	1705.0	119.9	2840.0	199.7	4730.0	332.6
750	398.9	1595.0	112.1	2660.0	187.0	4430.0	311.5
800	426.7	1525.0	107.2	2540.0	178.6	4230.0	297.4
850	454.4	1460.0	102.6	2435.0	171.2	4060.0	285.4
900	482.2	1350.0	94.9	2245.0	157.8	3745.0	263.3
950	510.0	1160.0	81.6	1930.0	135.7	3220.0	226.4
1000	537.8	1090.0	76.6	1820.0	128.0	3030.0	213.0
1050	565.6	1080.0	75.9	1800.0	126.6	3000.0	210.9
1100	593.3	905.0	63.6	1510.0	106.2	2515.0	176.8
1150	621.1	670.0	47.1	1115.0	78.4	1855.0	130.4
1200	648.9	430.0	30.2	720.0	50.6	1200.0	84.4

Pressure Temperature Rating - Special Class

Rating for Group 1.1 Material : A 216 Gr. WCB ⁽¹⁾

Temperature		# 900		# 1500		# 2500	
°F	°C	PSI	Kg/cm ²	PSI	Kg/cm ²	PSI	Kg/cm ²
-20 to 100	-29 to 38	2250.0	158.2	3750.0	263.7	6250.0	439.4
200	93.3	2250.0	158.2	3750.0	263.7	6250.0	439.4
300	148.9	2220.0	156.1	3700.0	260.1	6170.0	439.4
400	204.4	2200.0	154.7	3665.0	257.7	6105.0	429.2
500	260.0	2200.0	154.7	3665.0	257.7	6105.0	429.2
600	315.6	2200.0	154.7	3665.0	257.7	6105.0	429.2
650	343.3	2145.0	150.8	3575.0	251.3	5960.0	419.0
700	371.1	2075.0	145.9	3455.0	242.9	5760.0	405.0
750	398.9	1905.0	133.9	3170.0	222.9	5285.0	371.6
800	426.7	1545.0	108.6	2570.0	180.7	4285.0	301.3
850	454.4	1195.0	84.0	1995.0	140.3	3320.0	233.4
900	482.2	860.0	60.5	1435.0	100.9	2395.0	168.4
950	510.0	515.0	36.2	855.0	60.1	1430.0	100.5
1000	537.8	320.0	22.5	535.0	37.6	895.0	62.9

1) Permissible, but not recommended for prolonged use above 800°F

1 Kg/cm² = 0.981 Bar

Rating for Group 1.9 Material : A 217 Gr. WC6 ⁽¹⁾⁽²⁾

Temperature		# 900		# 1500		# 2500	
°F	°C	PSI	Kg/cm ²	PSI	Kg/cm ²	PSI	Kg/cm ²
-20 to 100	-29 to 38	2250.0	158.2	3750.0	263.7	6250.0	439.4
200	93.3	2250.0	158.2	3750.0	263.7	6250.0	439.4
300	148.9	2250.0	158.2	3750.0	263.7	6250.0	439.4
400	204.4	2250.0	158.2	3750.0	263.7	6250.0	439.4
500	260.0	2250.0	158.2	3750.0	263.7	6250.0	439.4
600	315.6	2250.0	158.2	3750.0	263.7	6250.0	439.4
650	343.3	2250.0	158.2	3750.0	263.7	6250.0	439.4
700	371.1	2200.0	154.7	3665.0	257.7	6110.0	429.6
750	398.9	2185.0	153.6	3645.0	256.3	6070.0	426.8
800	426.7	2160.0	151.9	3600.0	253.1	6000.0	421.8
850	454.4	2030.0	142.7	3385.0	238.0	5645.0	396.9
900	482.2	1760.0	123.7	2935.0	206.4	4895.0	344.2
950	510.0	1195.0	84.0	1995.0	140.3	3320.0	233.4
1000	537.8	810.0	56.9	1350.0	94.9	2250.0	158.2
1050	565.6	540.0	38.0	900.0	63.3	1500.0	105.5
1100	593.3	360.0	25.3	600.0	42.2	1000.0	70.3
1150	621.1	245.0	17.2	405.0	28.5	680.0	47.8
1200	648.9	155.0	10.9	255.0	17.9	430.0	30.2

1) Use Normalised and tempered material only.

2) Not to be used over 1100°F

Rating for Group 1.10 Material : A 217 Gr. WC9 ⁽¹⁾⁽²⁾

Temperature		# 900		# 1500		# 2500	
°F	°C	PSI	Kg/cm ²	PSI	Kg/cm ²	PSI	Kg/cm ²
-20 to 100	-29 to 38	2250.0	158.2	3750.0	263.7	6250.0	439.4
200	93.3	2250.0	158.2	3750.0	263.7	6250.0	439.4
300	148.9	2220.0	156.1	3695.0	259.8	6160.0	433.1
400	204.4	2185.0	153.6	3640.0	255.9	6065.0	426.4
500	260.0	2175.0	152.9	3620.0	254.5	6035.0	424.3
600	315.6	2165.0	152.2	3605.0	253.5	6010.0	422.5
650	343.3	2145.0	150.8	3580.0	251.7	5965.0	419.4
700	371.1	2120.0	149.1	3535.0	248.5	5895.0	414.5
750	398.9	2120.0	149.1	3535.0	248.5	5895.0	414.5
800	426.7	2120.0	149.1	3535.0	248.5	5895.0	414.5
850	454.4	2030.0	142.7	3385.0	238.0	5645.0	396.9
900	482.2	1800.0	126.6	3000.0	210.9	5000.0	351.5
950	510.0	1415.0	99.5	2360.0	165.9	3930.0	276.3
1000	537.8	1005.0	70.7	1670.0	117.4	2785.0	195.8
1050	565.6	655.0	46.1	1095.0	77.0	1820.0	128.0
1100	593.3	410.0	28.8	685.0	48.2	1145.0	80.5
1150	621.1	255.0	17.9	430.0	30.2	715.0	50.3
1200	648.9	155.0	10.9	255.0	17.9	430.0	30.2

1) Use Normalised and tempered material only.

2) Not to be used over 1100°F

Rating for Group 1.15 Material : A 217 Gr. C12A

Temperature		# 900		# 1500		# 2500	
°F	°C	PSI	Kg/cm ²	PSI	Kg/cm ²	PSI	Kg/cm ²
-20 to 100	-29 to 38	2250.0	158.2	3750.0	263.7	6250.0	439.4
200	93.3	2250.0	158.2	3750.0	263.7	6250.0	439.4
300	148.9	2250.0	158.2	3750.0	263.7	6250.0	439.4
400	204.4	2250.0	158.2	3750.0	263.7	6250.0	439.4
500	260.0	2250.0	158.2	3750.0	263.7	6250.0	439.4
600	315.6	2250.0	158.2	3750.0	263.7	6250.0	439.4
650	343.3	2250.0	158.2	3750.0	263.7	6250.0	439.4
700	371.1	2200.0	154.7	3665.0	257.7	6110.0	429.6
750	398.9	2185.0	153.6	3645.0	256.3	6070.0	426.8
800	426.7	2160.0	151.9	3600.0	253.1	6000.0	421.8
850	454.4	2030.0	142.7	3385.0	238.0	5645.0	396.9
900	482.2	1800.0	126.6	3000.0	210.9	5000.0	351.5
950	510.0	1415.0	99.5	2360.0	165.9	3930.0	276.3
1000	537.8	1260.0	88.6	2105.0	148.0	3505.0	246.4
1050	565.6	1260.0	88.6	2105.0	148.0	3505.0	246.4
1100	593.3	1130.0	79.4	1885.0	132.5	3145.0	221.1
1150	621.1	835.0	58.7	1395.0	98.1	2320.0	163.1
1200	648.9	540.0	38.0	900.0	63.3	1500.0	105.5

KSB Pumps and Valves - We are where you are

Manufacturing Plants :

Head Office & Pimpri :

Irrigation & Process Division

Mumbai-Pune Road, Pimpri,
Pune - 411 018.

Tel.: 020-2710 1000 Fax : 020-2742 6000

Chinchwad :

Power Projects Division

D-II Block, MIDC Chinchwad,
Pune - 411 019.

Tel.: 020-2740 9100 Fax : 020-2747 0890

Coimbatore :

Valves Division

151, Mettupalayam Road,
NSN Palayam Post,
Coimbatore - 641 031.

Tel.: 0422-246 8222, 246 8547-9

Fax : 0422-246 8232

Sinnar :

Water Pumps Division

Plot No. E-3 & E-4, MIDC Sinnar,
Nashik - 422 113.

Tel.: 02551-230252 / 53 / 55

Fax : 02551-230254

Vambori :

Foundry Division

Vambori, Ahmednagar - 413 704.

Tel.: 02426-272534, 272528, 272074

Fax : 02426-272043

Regd. Office :

126, Maker Chambers III, Nariman Point,
Mumbai - 400 021.

Tel.: 022-6658 8787 Fax : 022-6658 8788

Zonal Offices :

East :

30, Circus Avenue, 2nd Floor,
Kolkata - 700 017.

Tel.: 033-2287 0473, 2290 0117

Fax : 033-2287 0588

West :

126, Maker Chambers III, Nariman Point,
Mumbai - 400 021.

Tel.: 022-6658 8787 Fax : 022-6658 8788

North :

KSB House, A-96, Sector IV, NOIDA,
Dist. Gautam Budh Nagar - 201 301.

Tel.: 0120-254 1091-93, 254 1501-3

Fax : 0120-255 0567

South :

Guindy House, II Floor, 95, Anna Salai,
Chennai - 600 032.

Tel.: 044-2235 2571-2, 2235 5673

Fax : 044-2235 2749

Service Stations :

Chennai :

No. 4, (Old No. 18), Chakrapani Road,
Guindy, Chennai - 600 032.

Tel.: 044-2255 0704

Raipur :

Ring Road - 2, Behind Jeet Cold Storage,
Gondwara Road, Raipur - 493 221.

Tel.: 0771-650 1375

NOIDA :

KSB House, A-96, Sector IV, NOIDA,
Dist. Gautam Budh Nagar - 201 301.

Tel.: 0120-254 1091-92, 254 1501-2

Fax : 0120-255 0567

Odhav :

Shed No. 22, Gujrat Vepari
Mahamandal, Odhav,
Ahmedabad - 382 410.

Tel.: 079-2290 0372

Branch Offices :

Ahmedabad :

205, Simandhar Avenue, 2nd Floor,
8, Kailash Society, Opp. Nature View
Building, Near H. K. House, Ashram Rd.,
Ahmedabad - 380 009.

Tel.: 079-2657 9610 / 11

Fax : 079-2657 9612

Aurangabad :

Plot No. P 204, Shivshankar Colony,
Near Bembde Hospital,
Aurangabad - 431 005.

Tel.: 0240-235 1440, 234 2447

Fax : 0240-235 1440

Bangalore :

191, 1st Floor, West of Chord Road,
2nd Stage, Bangalore 560 086.

Tel.: 080-2349 1806, 2349 3925

Fax : 080-2349 6036

Baroda :

4-B, Ramkrishna Chamber,
Productivity Road, Baroda - 390 005.

Tel.: 0265-233 0532, 233 3226

Fax : 0265-235 0002

Bhubaneswar :

N5/39, 1st Floor, IRC Village, Nayapalli,
Bhubaneswar - 751 013.

Tel.: 0674-255 8497, 255 3061

Fax : 0674-255 8499

Chandigarh :

SCO - 189, 2nd Floor, Sector - 7C,
Chandigarh - 160 019.

Tel.: 0172-2790062, 2790072

Fax : 0172-2790062

Indore :

B-14, Ratlam Kothi, Indore - 452 001.

Tel.: 0731-252 9478, 252 9704

Fax : 0731-252 9704

Jaipur :

Anjali Chambers, 2nd Floor, Block C,
10, Rajbhawan Road, Civil Lines,
Jaipur - 302 001.

Tel.: 0141-222 4554, 222 4904

Fax : 0141-222 4904

Jamshedpur :

UG-4, Gangotri House, 'Q' Road,
Bistupur, Jamshedpur - 831 001.

Tel.: 0657-231 7129, 231 7130

Fax : 0657-231 7128

Lucknow :

309, Chintels House, 16, Station Road,
Lucknow - 226 001.

Tel.: 0522-263 5203, 263 5597

Fax : 0522-263 5597

Mumbai :

126, Maker Chambers III, Nariman Point,
Mumbai - 400 021.

Tel.: 022-6658 8787 Fax : 022-6658 8788

Nagpur :

203, Suryakiran Complex, Bajaj Nagar,
Nagpur - 440 010.

Tel.: 0712-223 6889, 222 9148

Fax : 0712-224 4184 (P.P.)

Pune :

Aamod Apartments, 'B' Wing,
Block No. 33, Behind Hotel Shravan,
Opp. Police Ground
Off Fergusson College Road,
Pune - 411 016.

Tel.: 020-25650393, 0394, 0396, 0398

Raipur :

D - 62, Sector - 2, Devendra Nagar,
Raipur - 492 001. (Chhattisgarh)

Tel.: 0771 - 2583658, 2583921

Fax : 0771 - 2583921

Secunderabad :

D. No. 12-13-197, 198,
Flat No. 103 & 104, 1st Floor,
Pavani Anusuya Towers, Tarnaka,
Secunderabad - 500 017.

Tel.: 040-2700 1724, 2700 3696

Fax : 040-2700 1725



KSB Pumps Limited

151, Mettupalayam Road, NSN Palayam Post, Coimbatore - 641 031. (India)
Tel. : +91 422 2468222 Fax : +91 422 2468232 www.ksbindia.co.in